

## Technical details

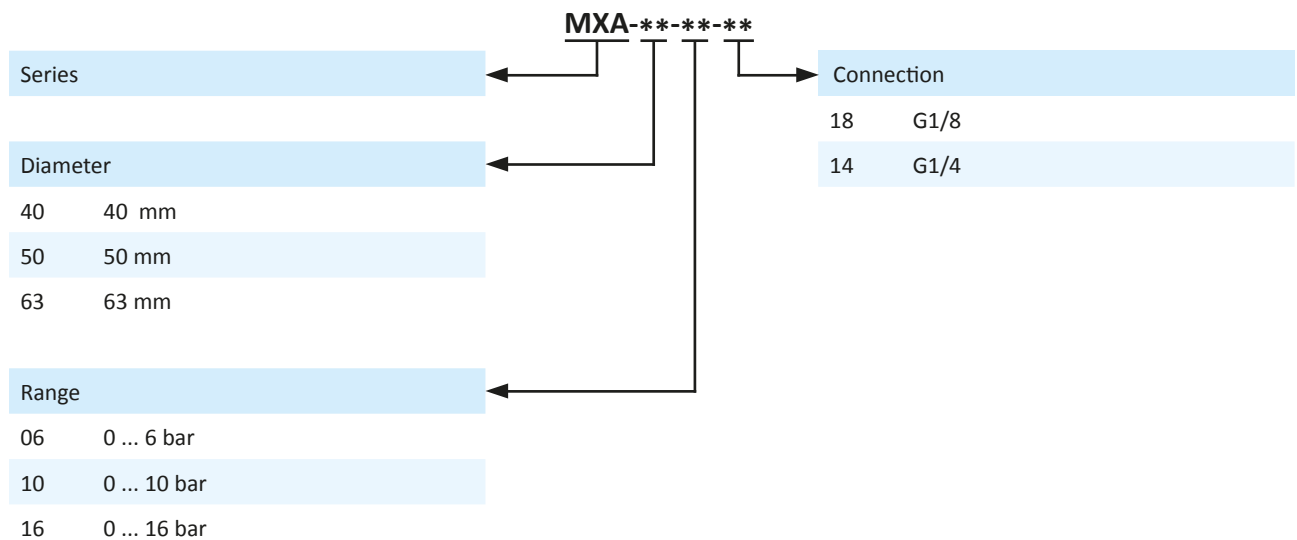
<b>Temperature range</b>	-20°C ... +60°C
<b>Accuracy class</b>	2.5 according to EN 837-1
<b>Application</b>	Constant load: 3/4 x scale value Alternating load: 2/3 x scale value
<b>Materials</b>	Body: ABS, black Window: plastic, clear, clipped-on Dial: plastic, white with stop pin Scale black (bar) and blue (psi)
<b>Temperature drift</b>	± 0.4% / 10 K if deviation from normal temperature (+ 20°C)



Bourdon tube pressure gauge (EN 837-1), pressure connection rear.



## Order code



## Technical data

Model-no.:	MXA-50-06-14		MXA-50-10-14		MXA-50-16-14	
<b>Connection</b>	G1/4		G1/4		G1/4	
<b>Standard for series</b>	-		-		X1. X2. Y1. Y2	
<b>Range</b>	0 ... 6 bar		0 ... 10 bar		0 ... 16 bar	
<b>Weight (kg)</b>	0.071		0.071		0.071	

Model-no.:	MXA-40-06-18	MXA-40-10-18	MXA-40-16-18	MXA-63-06-14	MXA-63-10-14	MXA-63-16-14
<b>Connection</b>	G1/8	G1/8	G1/8	G1/4	G1/4	G1/4
<b>Standard for series</b>	-	-	K. RD	-	-	Y3
<b>Range</b>	0 ... 6 bar	0 ... 10 bar	0 ... 16 bar	0 ... 6 bar	0 ... 10 bar	0 ... 16 bar
<b>Weight (kg)</b>	0.071	0.071	0.071	0.080	0.080	0.080